



VGB SERIES

SUBMERGED, MULTIPLE AND SINGLE SUCTION OUTLET INSTRUCTIONS

IMPORTANT SAFETY INSTRUCTIONS FOR MODELS:

10AVRxxx, 10AVxxx, 10LTD, 10LTxxx, 10MFxxx, , 8FUWxxx, 8MFxxx, A10RCFRxxx, A10RCFRxxx-V, A8Rxxx, LP8AVxxx, R8MFxxx
(xxx = COLOR SUFFIX)

MEETS OR EXCEEDS ANSI/APSP 16-2011
ANTI-ENTRAPMENT

READ AND FOLLOW ALL INSTRUCTIONS



WARNING!



IMPROPER INSTALLATION OR USE OF THIS PRODUCT MAY PRESENT A RISK OF HAIR OR BODY ENTRAPMENT AND DROWNING. Install this equipment in accordance with the instructions provided. Use only with the components and mounting hardware provided. FAILURE TO FOLLOW THESE INSTRUCTIONS AND/OR USE WITH COMPONENTS NOT PROVIDED BY AQUASTAR POOL PRODUCTS AND INTENDED TO BE USED WITH THIS PRODUCT MAY RESULT IN IMPROPER POSITIONING OR FUNCTIONING OF SUCTION OUTLET AND MAY CAUSE SEVERE PERSONAL INJURY OR DEATH.

SAVE THESE INSTRUCTIONS FOR FUTURE REFERENCE


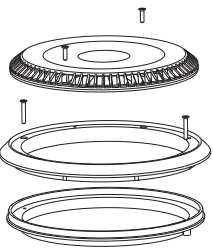
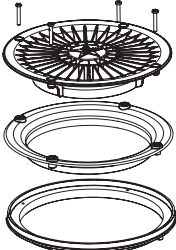
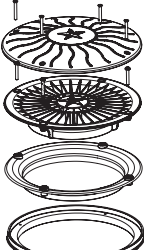
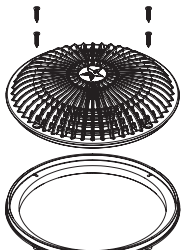
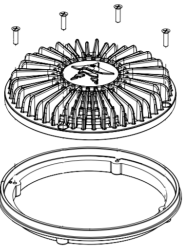
- If not a single, unblockable outlet, in the event of one suction outlet being completely blocked, the remaining suction outlets serving the system shall have a flow rating capable of the full flow of the pump(s) or the specific suction system. If in doubt about the rating and/or head loss curve of your system, consult a qualified pool or spa professional and/or your respective equipment manufacturer(s). Also, double-check with your local building/health authorities regarding single vs. multiple drain installations, etc.
- All sizes of connecting pipe are acceptable, pending velocity and GPM calculations. The larger, the better! DO NOT exceed maximum flow rate(s) of cover or pipe(s) flow rate(s), whichever is less.
- Replace cover and screws within five years.


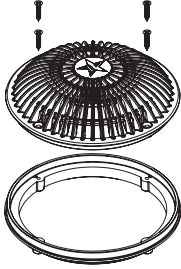
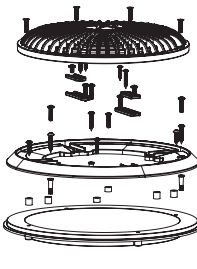
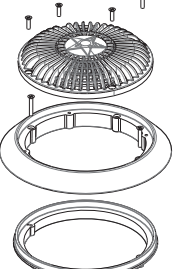
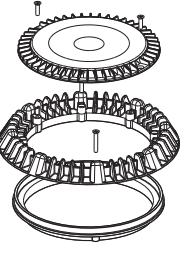
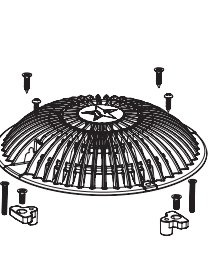
SPECIAL NOTES:

- Go to www.AquaStarPoolProducts.com to download General Certificate of Conformity (GCC).
- Pool finish should never exceed top of frame.
- Taper pool finish down and away from top (or lower) of frame.
- Top of grate should never be installed lower than the pool finish.
- Take special notice when retrofitting into an existing frame where possible existing multiple layers of re-plastering have created a concave situation, either chip or grind down old surface or install new frame at higher level. Use of bushing kit may also be required to achieve proper elevation.

ALL MODELS LISTED BELOW = ANTI-ENTRAPMENT/ANTI-VORTEX AND FOR SINGLE OR MULTIPLE USE

MAX FLOW RATES (PER OUTLET) MOUNTING POSITIONS (xxx=COLOR SUFFIX)

 VGB COMPLIANT Model#	 10AVRxxx/10AVxxx	 10LTDxxx	 10LTxxx	 10MFxxx	 8FUWxxx
Floor	166 GPM @ 4.8 fps	125 GPM @ 1.4 fps	60 GPM @ 0.7 fps	158 GPM @ 1.6 fps	110 GPM @ 2.2 fps
Wall	96 GPM @ 2.8 fps	Floor Only	Floor Only	162 GPM @ 1.7 fps	106 GPM @ 2.1 fps
Min A	2 - 1/4"	3"	3"	2"	2 - 1/4"
Max B	5/8"	5/8"	5/8"	5/8"	5/8"
Min Sump Depth	3"	3"	3"	3"	3"

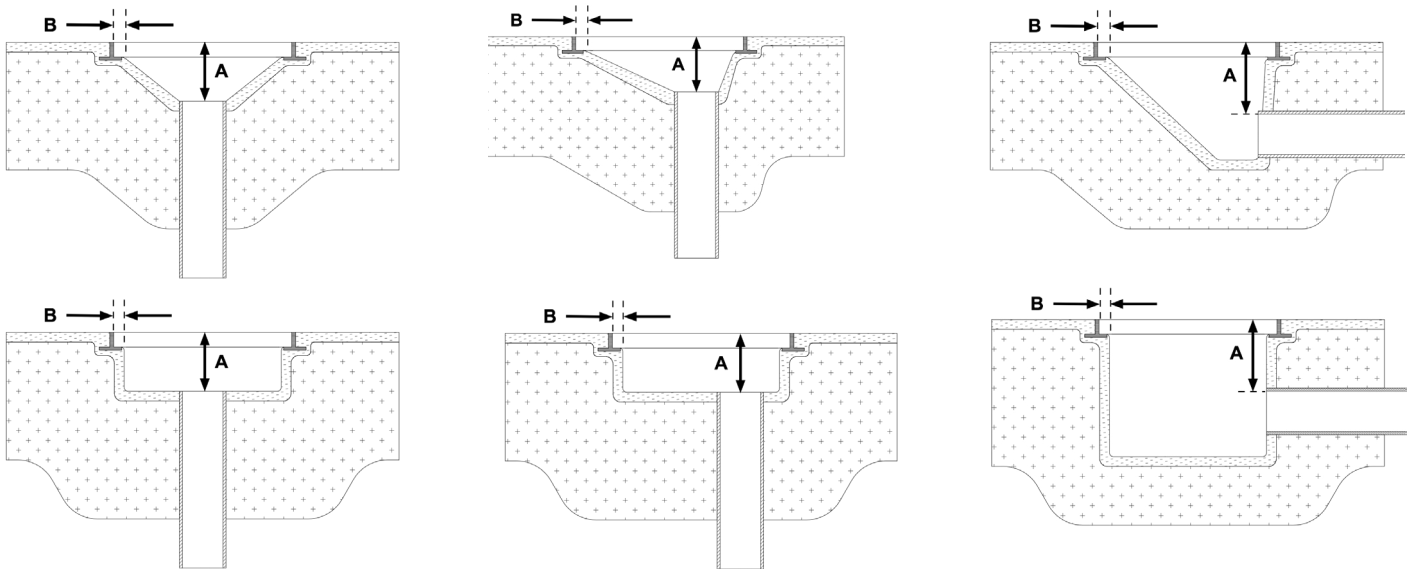
 VGB COMPLIANT					
	Model# 8MFxxx	A10RCFRxxx/ A10RCFRxxx-V	A8Rxxx	LP8AVxxx/ LP8AVWRxxx	R8MFxxx
Floor	166 GPM @ 3.2 fps	170 GPM @ 1.7 fps	140 GPM @ 2.8 fps	100 GPM @ 2.0 fps	146 GPM @ 2.9 fps
Wall	113 GPM @ 2.2 fps	170 GPM @ 1.7 fps	84 GPM @ 1.7 fps	70 GPM @ 1.7 fps	130 GPM @ 2.6 fps
Min A	2"	0" (Sumpluss)	0" (Sumpluss)	2 - 1/8"	1 - 3/4"
Max B	5/8"	5/8"	5/8"	5/8"	5/8"
Min Sump Depth	3"	0" (Sumpluss)	0" (Sumpluss)	3"	3"

INSTALLATION LAYOUTS

- A. Requires Phillips screw driver. Hand tighten only. Do not use electrical or air drills.
- B. Top of all suction outlets shall not exceed 2" above pool floor or wall.

MANUFACTURED AND FIELD-BUILT SUMP DIMENSIONS

Please refer to the tables listed above on these instructions for proper minimum A and B heights for the diagrams listed in this section. For additional information on proper drain installation refer to The Association of Pool & Spa Professionals ANSI/APSP-7 Standard and the U.S. Consumer Product Safety Commission Guidelines for Entrapment Hazard.



DRAN COVER EXPIRATION

At AquaStar, based on UV, structural and fastener testing, we've determined that our drain covers should be replaced every five years from the date of installation. We have partnered with you to make sure your customers are in compliance with the law, if you need help our customer service department is here to assist in any way we can.

WARNING! SUCTION ENTRAPMENT HAZARD

INCREASING PUMP SIZE WILL INCREASE FLOW. When in doubt, consult your pool and spa professional. NEVER use a pool or spa that has a missing or broken suction outlet cover. USING A POOL OR SPA WITH A MISSING OR BROKEN SUCTION OUTLET COVER CAN RESULT IN HAIR OR BODY ENTRAPMENT WHICH CAN CAUSE SEVERE BODILY INJURY OR DEATH. THE VACUUM IN SUCTION OUTLETS AND/OR SUCTION OUTLET COVERS WHICH ARE DAMAGED, BROKEN, CRACKED, MISSING OR UNSECURED CAN CAUSE SEVERE INJURY AND/OR DEATH DUE TO THE FOLLOWING ENTRAPMENT HAZARDS: HAIR ENTRAPMENT – Hair can become entangled in suction outlet cover. LIMB ENTRAPMENT – A limb inserted into an opening of a suction outlet sump or suction outlet cover that is damaged, broken, cracked, missing or not securely attached can result in a mechanical bind or swelling of the limb. BODY SUCTION ENTRAPMENT – A negative pressure applied to a large portion of the body or limbs can result in an entrapment. EVISCERATION/DISEMBOWELMENT ENTRAPMENT – A negative pressure applied directly to the intestines through an unprotected suction outlet sump or suction outlet cover which is damaged, broken, cracked, missing, or unsecured can result in evisceration/disebowelment entrapment. MECHANICAL ENTRAPMENT – There is a potential for jewelry, swimsuit, hair decorations, finger, toe or knuckle to be caught in an opening of a suction outlet cover resulting in mechanical entrapment. AFTER INSTALLATION OF FITTINGS, IF A GAP EXISTS BETWEEN POOL FINISH AND BASE OF COVER IT MUST BE FILLED IN WITH A TWO-PART EPOXY TO AVOID FINGER OR OTHER ENTRAPMENT.

WARNING! – Failure to remove pressure test plugs and/or plugs used in winterization of the pool/spa from the suction outlets can result in an increased potential for suction entrapment as described above.

WARNING! – Failure to keep suction outlet components clear of debris, such as leaves, dirt, hair, paper and other material can result in an increased potential for suction entrapment as described above.

WARNING! – Suction outlet components have a finite life, the cover/grate should be inspected before each use of facility and replaced at least every five years or if found to be damaged, broken, cracked, missing, not securely attached or missing screws. **DO NOT** use facility until corrected!

WARNING! TO REDUCE THE RISK OF ENTRAPMENT HAZARDS

If not an approved single, unblockable outlet, a minimum of two functioning suction outlets per pump must be installed. Suction outlets in the same plane (i.e. floor or wall) must be installed a minimum of three feet (3') (1 meter) apart, as measured from center point to center point. Dual suction fittings shall not be located on seating areas or on the backrest for such seating areas. If any suction outlets are located closer they shall be located on two different planes (i.e. one on the bottom and one on the vertical wall, or one each on two separate vertical walls). The maximum system flow rate shall not exceed the flow rating of any listed (per ANSI/APSP 16-2011) suction outlet cover installed. Never use pool or spa if any suction outlet component is damaged, broken, cracked, missing or not securely attached. Replace damaged, broken, cracked, missing or not securely attached suction outlet components immediately. In addition to two or more suction outlets per pump installed in accordance with latest APSP, Standards and CPSC guidelines, follow all applicable national, state and local code. Use only transitional (typically green) glues when attaching PVC pipe to ABS fittings. Use gray medium set glue when attaching PVC pipe to our PVC based double deep sump buckets. Do not ever use blue glue or related hot glues, clear glues or any fast setting cement.

As the manufacturer, AquaStar Pool Products, Inc., hereby certifies that their suction outlet and drain covers meet or exceed the requirements of the Virginia Graeme Baker Pool & Spa Safety Act, VGB 2008 and ANSI/APSP 16-2011 standards and safety regulations as set forth by the Consumer Products Safety Commission. A copy of this certificate of compliance is available on AquaStar Pool Products Inc.'s website under news & information: www.aquastarpoolproducts.com

A Safe Drain is No Accident™





SUMPLESS, BULKHEAD POOL & SPA SUBMERGED SUCTION OUTLET INSTRUCTIONS

VGB SERIES

IMPORTANT ADDITIONAL SAFETY INSTRUCTIONS FOR
4HPxxx and 6HPHAxxx
(xxx = COLOR SUFFIX)



READ AND FOLLOW ALL FOUR PAGES
OF INSTRUCTIONS



MEETS OR EXCEEDS ANSI/APSP 16-2011
ANTI-ENTRAPMENT/ANTI-VORTEX

MAX FLOW RATES (PER OUTLET) MOUNTING POSITIONS (xxx=COLOR SUFFIX)

Model	4HPxxx	4HP TOTAL OPEN AREA	6HPHAxxx (2")	6HPHAxxx (1½")	6HPHA total open area
Floor	56 GPM @ 3.5 fps	5.2 sq. in.	160 GPM @ 4.9 fps	144 GPM @ 4.4 fps	10.4 sq. in.
Wall	56 GPM @ 3.5 fps	5.2 sq. in.	92 GPM @ 2.8 fps	92 GPM @ 2.8 fps	10.4 sq. in.

SPECIAL NOTES FOR HP FITTINGS

- No sump is required. AquaStar's Sumpless Series is designed and tested for safe flush-mount installations to tile, fiberglass, acrylic, vinyl and steel as well as plaster, pebble, concrete, etc.
- ABS bulkhead adapter fittings that are not threaded must be securely attached to plumbing with proper glue. Use ABS to PVC transitional glues (such as Oatey® Weld-on® and other green NSF glues). Threaded bulkhead adapter fittings are not required to be glued.
- Pressurize system before installation. ABS bulkhead adapter fittings that are not threaded are unable to be winterized.
- **DO NOT** use clear, "hot", "blue" or any fast set glues with any AquaStar pool products.
- When retro-fitting, extra secure installations can be obtained by applying wet and dry epoxy, silicone, etc., to underside of base plates.
- After installation of bulkhead adapter fittings, if a gap exists between pool finish and base of cover it must be filled in with a two-part epoxy to avoid finger or other entrapment.